

## Newest Design Bridge Column Type Load Cells ZTM-B

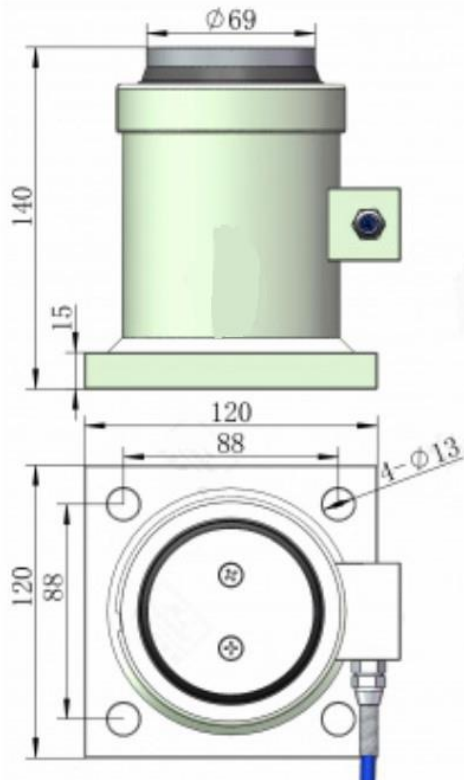


### Feature:

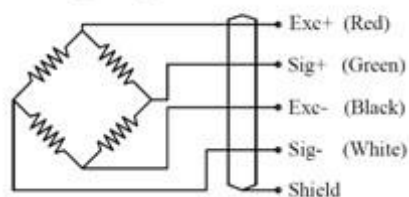
Rated load:10T,20T

Alloy steel & stainless structure; bellows hermetically sealed by laser, nickel plated, waterproof and anti-corrosion, suitable for multiform environments; suitable for electronic platform scales, hopper scales, and other electronic weighing devices.

Whole multi column structure, novel and unique, high strength, good rigidity, anti-twist, whole structure, higher overload, anti-shock and anti-fatigue , small volume, light weight , exceeding tradition, fine interchangeability.



### Wiring Diagram



**Specification:**

Precision : C2 & C3

Comprehensive Error(%F.S) :  $\leq \pm 0.03$  &  $\leq \pm 0.02$

Rated Output(mv/v) :  $2.0 \pm 0.002$

Creep(%F.S/30min) :  $\leq \pm 0.023$  &  $\leq \pm 0.016$

Zero Balance(%F.S) :  $\pm 1.0$

Input Resistance( $\Omega$ ) :  $700 \pm 5$

Output Resistance( $\Omega$ ) :  $700 \pm 5$

Insulation Resistance(M $\Omega$ ) :  $\geq 5000(50VDC)$

Temp. Effect on Span(%F.S/10 $^{\circ}C$ ):  $\leq \pm 0.017$  &  $\leq \pm 0.011$

Temp. Effect on Zero(%F.S/10 $^{\circ}C$ ):  $\leq \pm 0.029$  &  $\leq \pm 0.015$

Compensated Temp. Range( $^{\circ}C$ ) :  $-10 \sim +40$

Use Temp. Range( $^{\circ}C$ ) :  $-35 \sim +70$

Excitation Voltage(V) :  $5 \sim 12(DC)$

Safe Overload (%F.S) : 150

Ultimate Overload (%F.S) : 200

Defend grade : IP68

Wiring schematic diagram:

Red: Input ( + ) 111 White: Output ( - )

Black: Input ( - ) 111 Green: Output ( + )

Notes: It used 6-core shielded cable( $\phi 6 \times 12M$  or  $\phi 6 \times 16M$ )