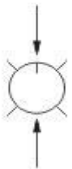
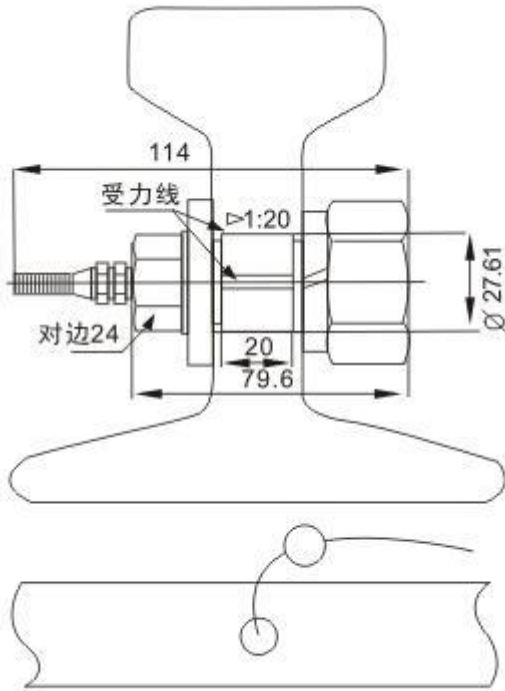




Railway Scale Insert-Identifier Stainless Steel Load Cells Sensor XZFL-SS



Specification

Application	Railway Scale Insert-Identifier
Rated Load	200KN
Sensitivity	1.7±0.1mV/V
Total Error	±0.5%F.S
Creep Error (30mins)	±0.1%F.S
Zero balance	±1%F.S
TCO	±0.1%F.S/10°C
TC SPAN	±0.2%F.S/10°C
Input resistance	383±5Ω
Output resistance	352±3Ω
Insulation resistance	≥5000MΩ
Temperature Range. Compensated	-10~+40°C
Operating Temp Range	-30~+70°C
Safe load limit	150%F.S
Over load limit	200%F.S
Recommend excitation	10~12V DC
Maximum excitation	15V DC
Protection Class	IP67
Construction	Stainless Steel
Cable: Length;	14m
	Diameter: Φ6mm