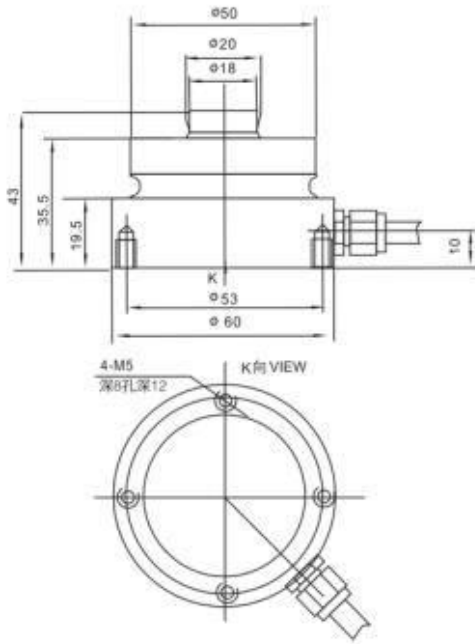




Low Profile Compression Load Cells TRB



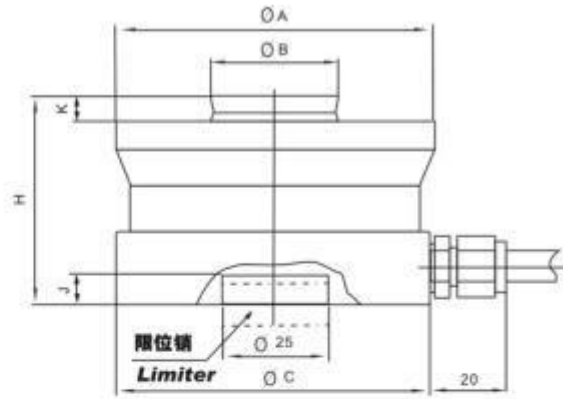
1~4.7t



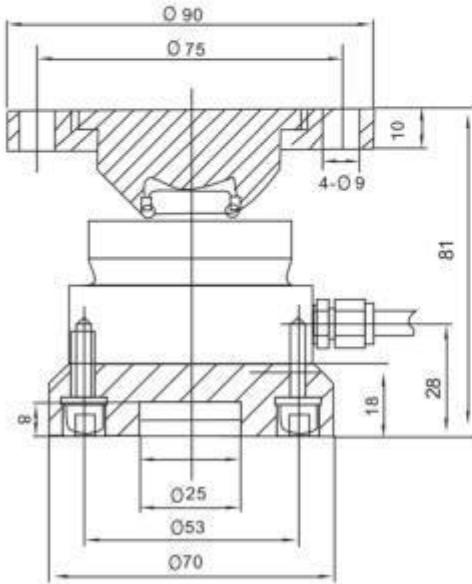
10~150t

10~150t

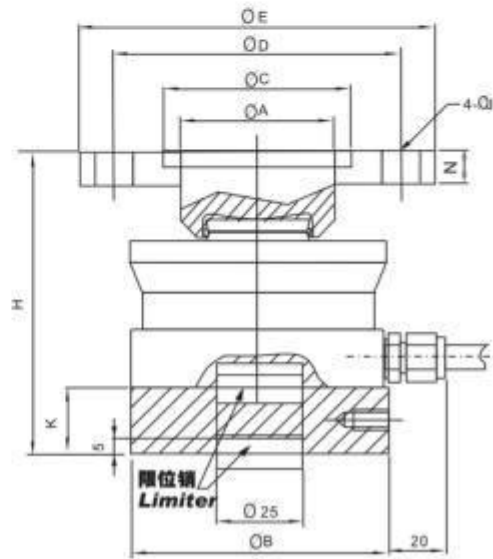
额定载荷(t) Rated Load	A	B	C	H	J	K
10~22	75	30	75	50	7	6.5
33	95	40	95	65	7	10
47	130	60	130	75	7	14
68	130	60	130	85	7	14
100	150	70	150	90	7	16
150	150	70	150	100	7	16



1~4.7t



10~100t



10~100t

额定载荷(t) Rated Load	A	B	C	D	E	H	K	J	N
10~22	45	75	55	80	100	95	20	11.5	10
33	58	95	68	95	120	120	25	13	12
47	80	130	92	130	170	140	30	17.5	20
68	80	130	92	130	170	150	30	17.5	20
100	100	150	110	150	200	177	40	25	22
150	100	150	110	150	200	187	40	25	22

Specification :

Application :	Axle-load Scales, Hopper Scales, Warehouse Scales , Silo Scales
Model :	TRB
Capacity	1, 2.2, 3.3, 4.7, 10, 15, 22, 33, 47, 68, 100T.
Output Sensitivity	$\pm 2.85 \pm 0.005$ mV/V
Total Error	$\pm 0.03, \pm 0.05, \pm 0.1$ %F.S
Creep(30 min)	± 0.03 %F.S/30 Mins
TCO	± 0.03 F.S/ 10 °C
TC SPAN	± 0.02 F.S/ 10 °C
Zero Balance	± 1.0 % F.S
Input Impedance	1450 \pm 10 Ω
Output Impedance	1402 \pm 3 Ω ; 1402 \pm 5 Ω (L \geq 15M)
Insulation Resistance	≥ 5000 M Ω
Recommend Excitation Voltage	10~12V DC
Maximum Excitation Voltage	15V / DC
Operating Temperature Range	-30~+70°C
Safe Overload	200 %F.S
Ultimate Overload	300 %F.S
Protection Grade	IP68
Material	Alloy Steel / Stainless Steel
Cable Length	Length=L:8M (1.4.7T), 12M (10-33T), 16M (47-100T) $\phi 6$