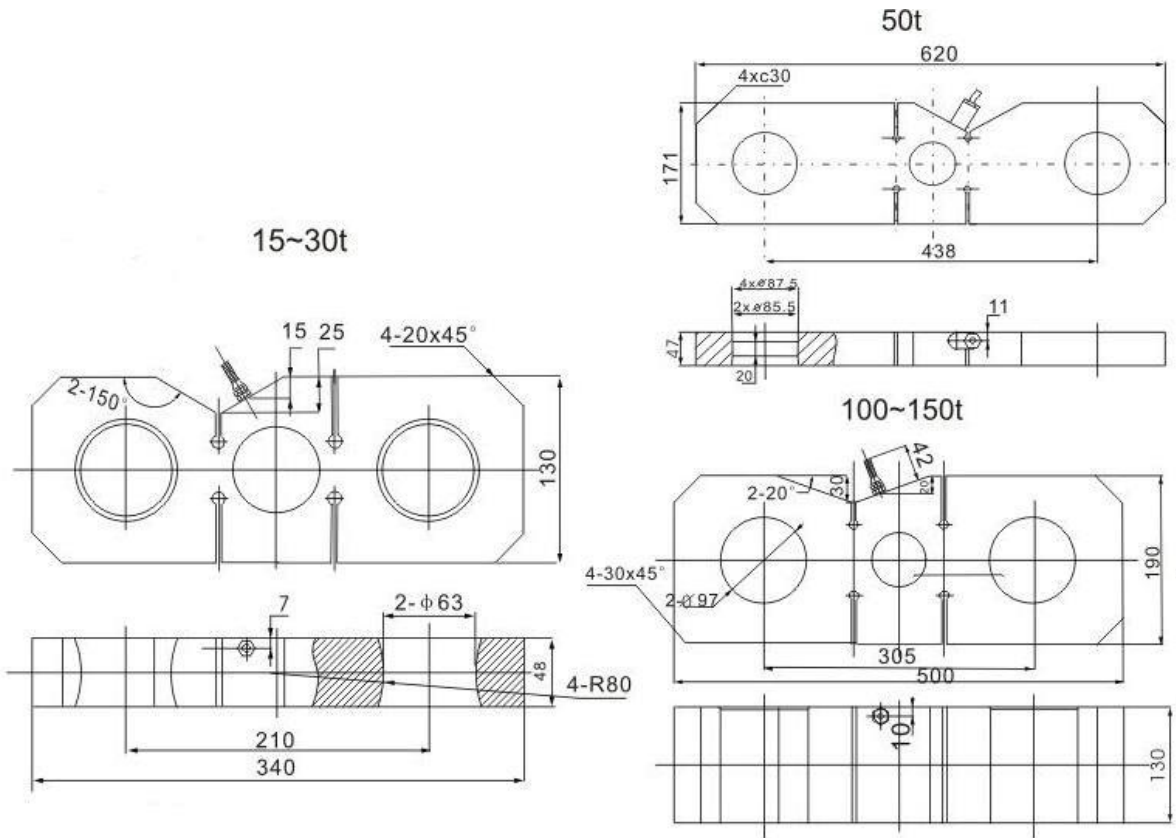
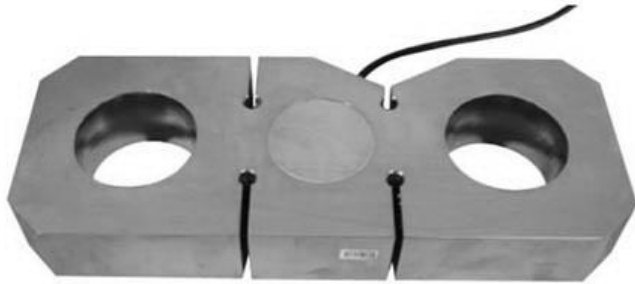
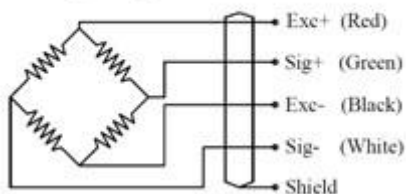


### S Type Tension Load Cells ST



量程	L1	L2	B	D	H
15,20,30t	340	210	130	Φ63	48
50t	620	438	171	Φ85.5	47
100,150t	500	305	190	Φ97	130

#### Wiring Diagram



## Specification

Application	
Model :	ST
Capacity	15,20,30,50,100,150t
Output Sensitivity	2.0±0.002mV/V(15~50t);1.5±0.01mV/V (100~150t)
Total Error	±0.05%F.S
Creep(30 min)	± 0.02 %F.S/30 Mins
TCO	±0. 2 F.S/ 10℃
TC SPAN	±0. 2 F.S/ 10℃
Zero Balance	±1.0 % F.S
Input Impedance	400 ± 10Ω
Output Impedance	352 ± 3Ω
Insulation Resistance	≥5000 MΩ
Recommend Excitation Voltage	10~12V/DC
Maximum Excitation Voltage	15V/DC
Temperature range compensated	-10℃~+40℃
Operating Temperature Range	-30~+70℃
Safe Overload	120 %F.S
Ultimate Overload	150 %F.S
Protection Grade	IP67
Material	Alloy Steel
Cable Length	12m(15~30,100~150t),10m(50t) Diameter:Φ5mm(15~30,100~150t), Φ8mm(50t)