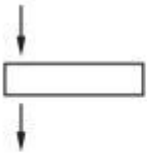
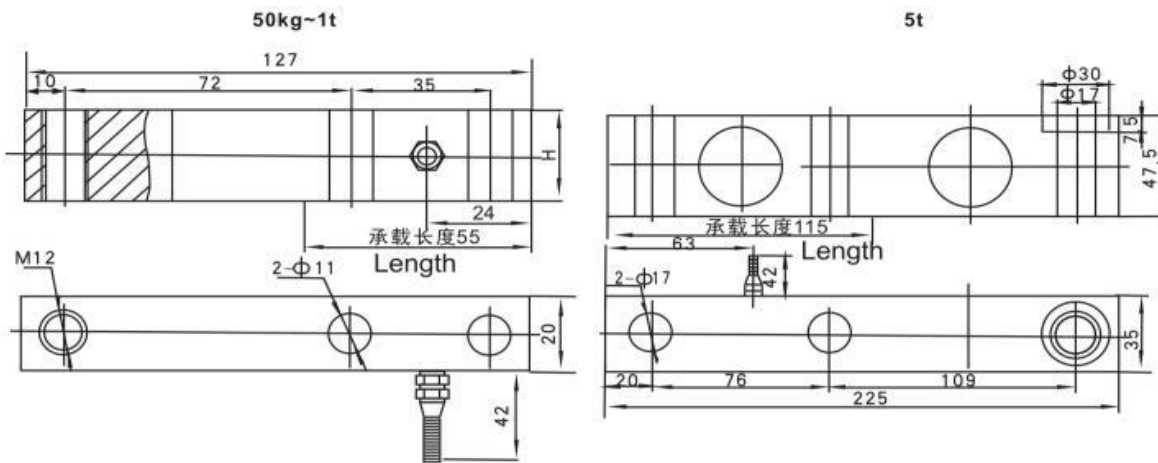


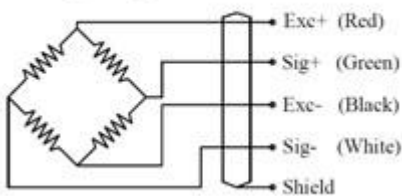


### Single Mini Ended Shear Beam Load Cells SQE



额定载荷(kg) Rated Load	H
50~250	18
500~1000	24

#### Wiring Diagram



## Specification

Application	Platform Scales ,All of kinds of compression testing device
Rated Load	50, 100, 150, 200, 250, 500kg, 1.5t
Sensitivity	1.6±0.002mV/V (50kg), 1.9±0.002mV/V(150kg) 2.0±0.002mV/V
Total Error	±0.03%F.S, ±0.05%F.S(5t)
Creep(30min)	±0.02%F.S, ±0.03%F.S
Zero balance	±1%F.S
TCO	±0.02%F.S/10℃
TC SPAN	±0.02%F.S/10℃
Input resistance	400±10Ω
steel Output resistance	352±3Ω
Insulation resistance	≥5000MΩ
Temperature Range. Compensated:	-10~+40℃
Operating Temp Range	-30~+70℃
Safe load limit	120%F.S
Over load limit	180%F.S
Recommend excitation	10~12V DC
Maximum excitation	15V DC
Protection Class	IP67(50kg-1t) IP8 (5t)
Construction	Alloy Steel-S/-SS;Stainless
Cable	Length; 2.6m(500-1t),5m (5t)
Diameter	Φ5mm(500-1t), Φ6mm (5t)