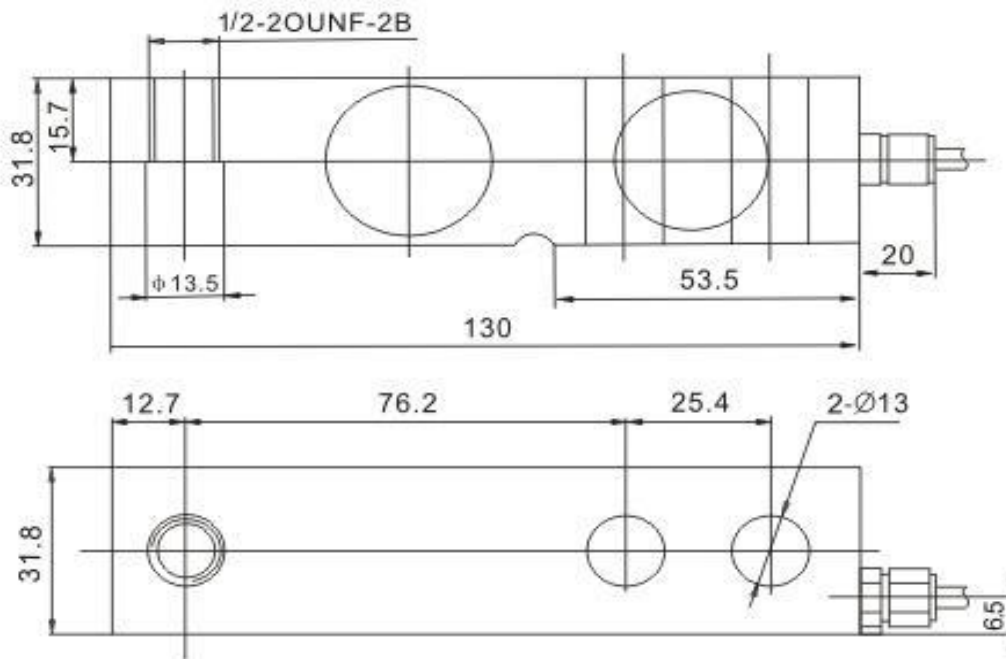
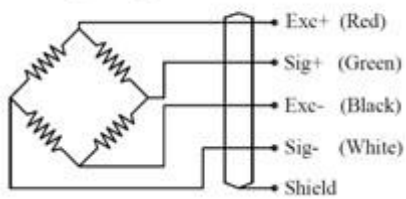




OIML Single Ended Shear Beam Load Cells SQBY



Wiring Diagram



Specification

Application :	Platform scales , Blending Scales, Packing Scales
Model :	SQBY
Capacity	1K, 1.5K, 2K, 2.5K, 3K, 4KLB,5KLB
Output Sensitivity	3.0± 0.003 mV/V
Accuracy Class	III L5000
Zero Balance	±1.0 %F.S
TCO	±0.02 %F.S /10℃
TC SPAN	±0.02 %F.S /10℃
Input Impedance	400±20Ω
output Impedance	352±3Ω
Hysteresis	0.02/0.03 %F.S
Creep(30 min)	0.02/0.03 %F.S/30 Mins
Temperature effect on Sensitivity	0.0015%F.S/ ℃
Temperature effect on Zero	0.002 %F.S/ ℃
Insulation Resistance	≥5000 MΩ
Comensated Temperature Range	-10~+40℃
Operating Temperature Range	-30~+70℃
Recommend Excitation Voltage	10-12V DC
Maximum Excitation Voltage	15V DC
Protection Grade	IP67(1KLB) , IP68 (2-4KLB)
Safe Overload	150 %F.S
Ultimate Overload	200 %F.S
Material	Alloy Steel / Stanless Steel