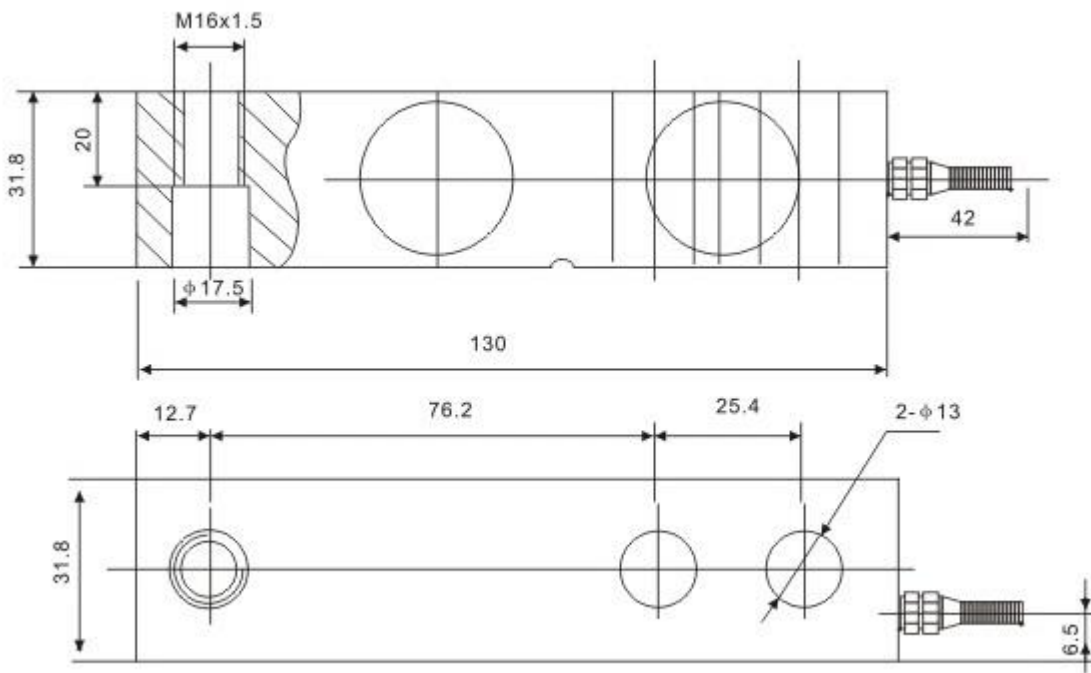
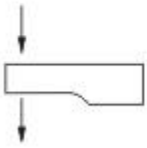
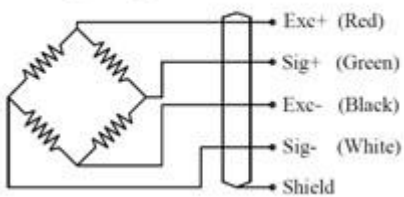




OIML Single Ended Beam Load Cells SQBL



Wiring Diagram



Specification

Application	Low Platform Scales, Blending control system
Rated Load	1, 1.5, 2, 2.5t
Sensitivity	3±0.003mV/V
Total Error	±0.03%F.S (Alloy Steel) ,±0.05%F.S (Stainless Steel)
Zero balance	±1%F.S
Creep Error (30mins)	±0.02%F.S, ±0.03%F.S
TCO	±0.02%F.S/10°C
TC SPAN	±0.02%F.S/10°C
Input resistance	400±20Ω
Output resistance	352±3Ω
Insulation resistance	≥5000MΩ
Temperature Range. Compensated	-10~+40°C
Operating Temp Range	-30~+70°C
Safe load limit	120%F.S
Over load limit	150%F.S
Recommend excitation	10~12V DC
Maximum excitation	15V DC
Protection Class	IP67
Construction	Alloy Steel/Stainless Steel
Cable: Length;	3m
	Diameter:Φ5mm(Alloy Steel), Φ6mm (Stainless Steel)