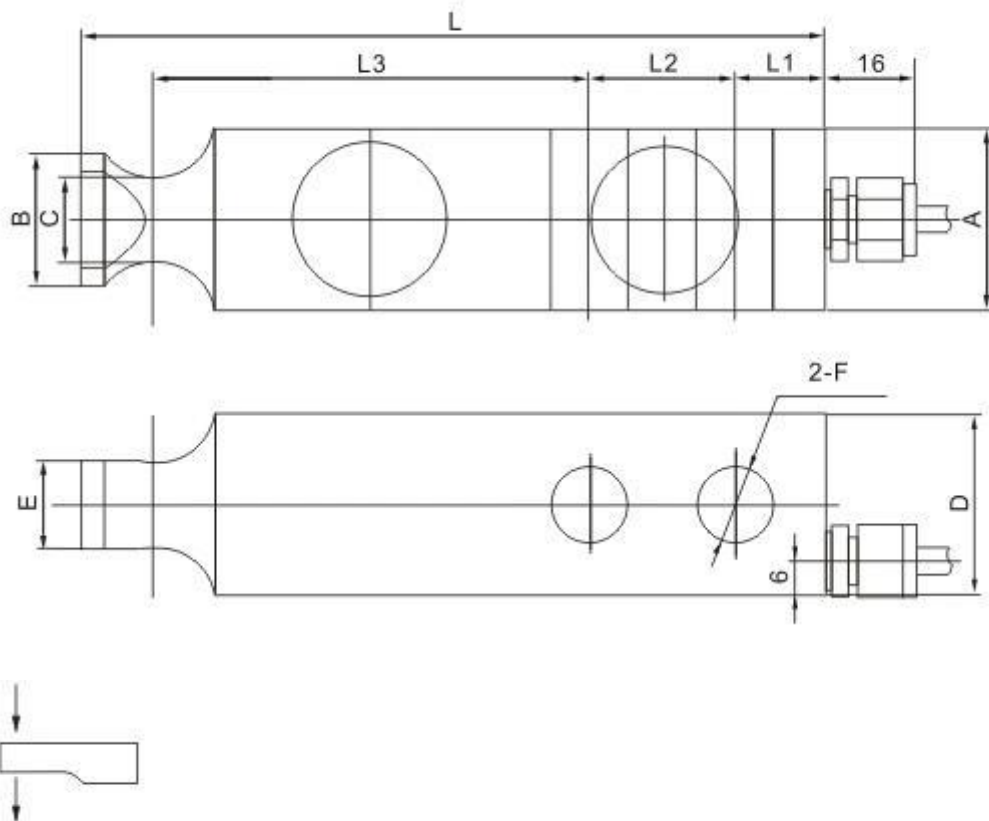


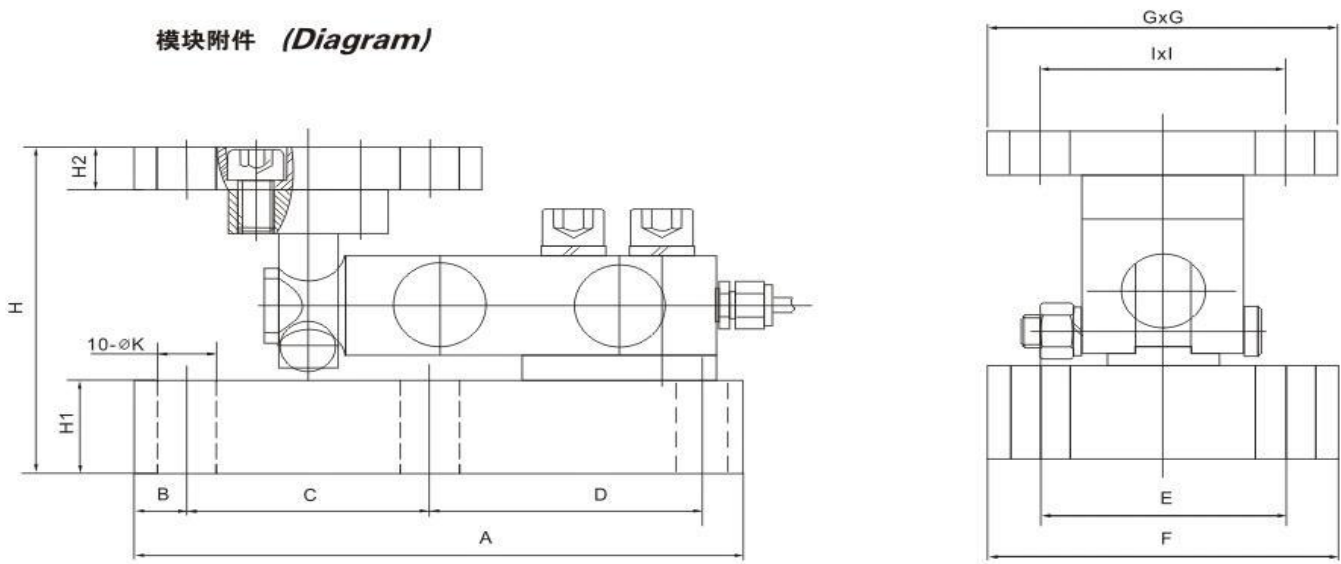


Single Point Ended Shear Beam Load Cells Sensor SQBK-A



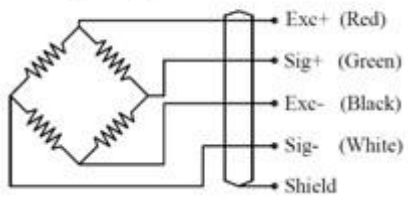
| 额定载荷(t) Rated Load | L | L1 | L2 | L3 | A | B | C | D | E | F |
|-----------------------|-------|------|------|------|----|-------------|-------------|----|------|-------------|
| 1~2.5 | 130 | 15.8 | 25.4 | 76.2 | 32 | $\phi 23.4$ | $\phi 15.2$ | 32 | 15.8 | $\phi 13.5$ |
| 3~5 | 171.5 | 19 | 38.5 | 93.5 | 38 | $\phi 30.5$ | $\phi 21.8$ | 38 | 22.9 | $\phi 20$ |

模块附件 (Diagram)



| 额定载荷(t) Rated Load | A | B | C | D | E/I | F/G | H1 | H2 | H | K |
|-----------------------|-----|----|----|-----|-----|-----|----|----|-----|----|
| 1~2.5 | 175 | 15 | 70 | 75 | 70 | 100 | 30 | 14 | 105 | 17 |
| 3~5 | 236 | 20 | 90 | 106 | 90 | 130 | 35 | 20 | 132 | 21 |

Wiring Diagram



Specification

| | |
|--------------------------------|--------------------------------|
| Application | Hopper Scales ,Blending Scales |
| Rated Load | 1, 2, 2.5, 3, 5T |
| Sensitivity | 3±0.003mV/V |
| Total Error | ±0.05%F.S |
| Creep Error (30mins) | ±0.03%F.S |
| Zero balance | ±1%F.S |
| TCO | ±0.02%F.S/10°C |
| TC SPAN | ±0.02%F.S/10°C |
| Input resistance | 400±20Ω |
| Output resistance | 352±3Ω |
| Insulation resistance | ≥5000MΩ |
| Temperature Range. Compensated | -10~+40°C |
| Operating Temp Range | -30~+70°C |
| Safe load limit | 120%F.S |
| Over load limit | 150%F.S |
| Recommend excitation | 10~12V DC |
| Maximum excitation | 15V DC |
| Protection Class | IP67(0.25-0.75t) IP68 (1-10t) |
| Construction | Alloy Steel |
| Cable: Length; | 5m |
| | Diameter:Φ5mm |