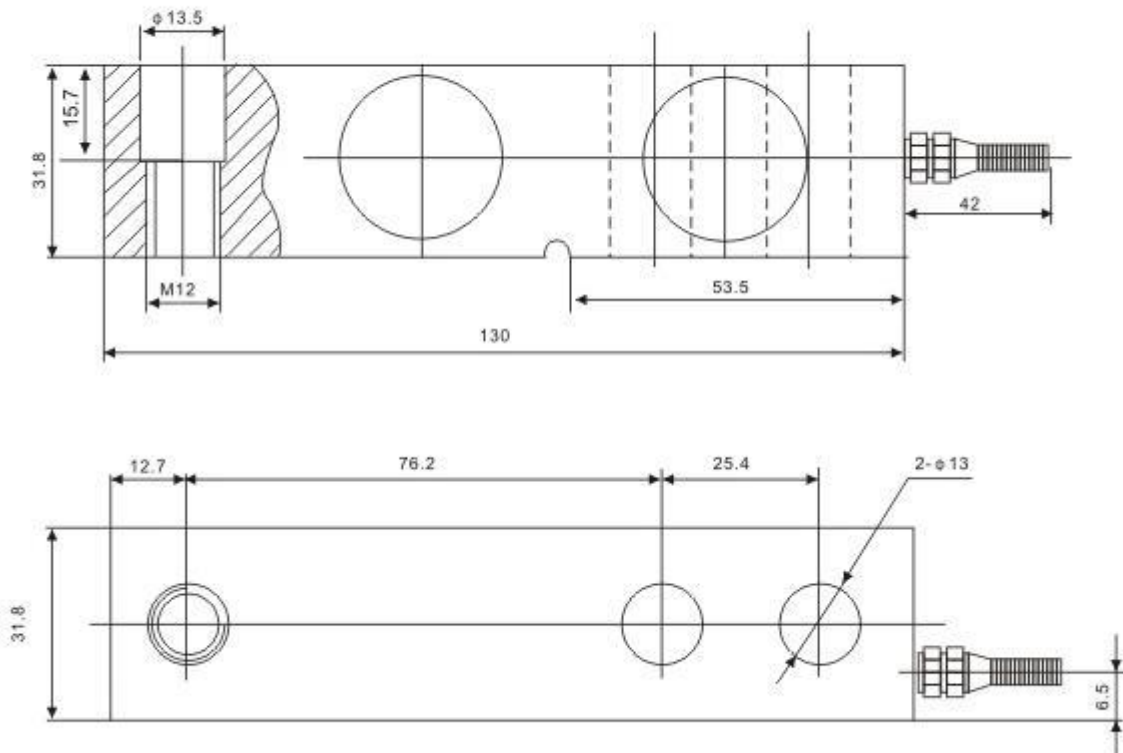




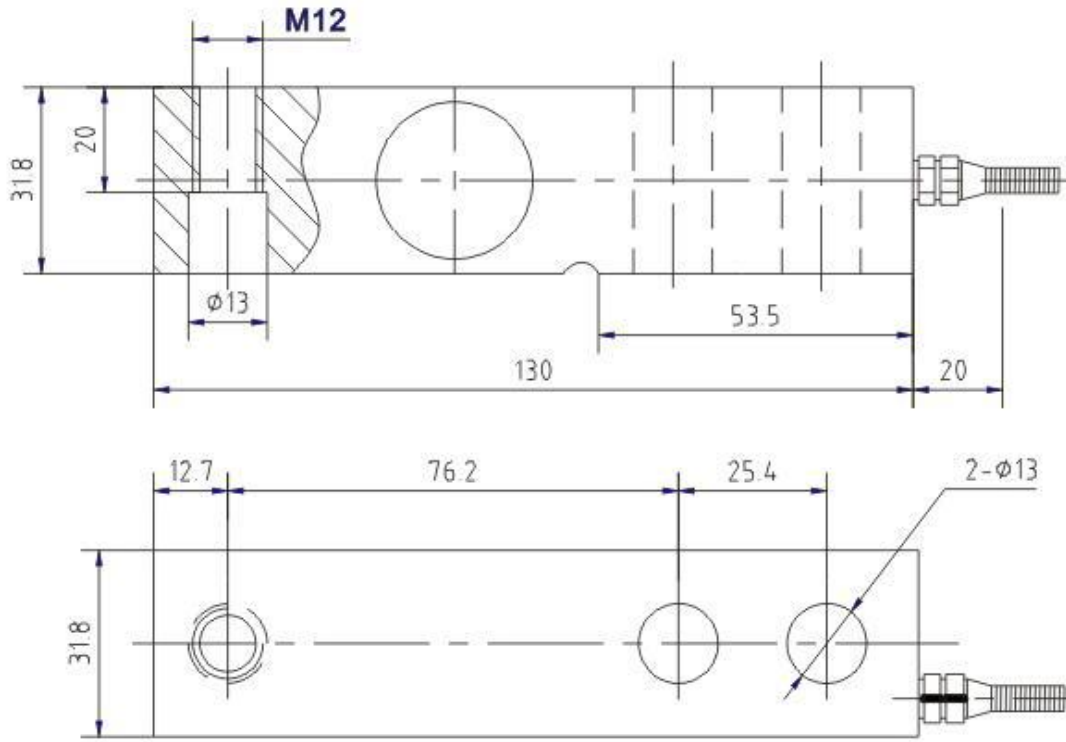
OIML Single Ended Beam Load Cells SQB



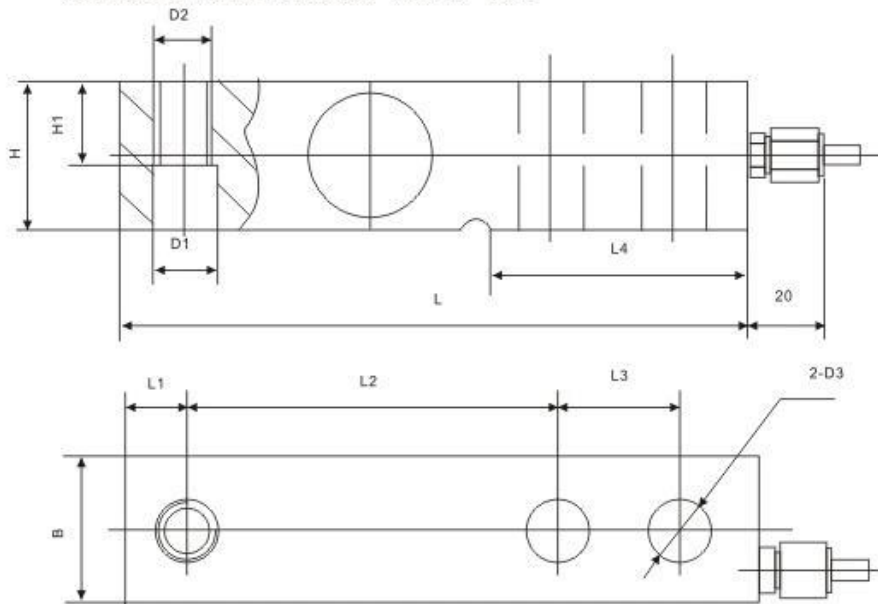
SQB/SQB-A 0.25~2.5t



SQB-SS/SQS-ASS 0.25-2.5 t

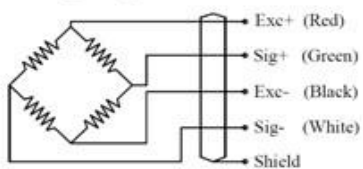


SQB/SQB-A/SQB-SS/SQB-ASS 3~10t



額定载荷(t) Rated Load	L	L1	L2	L3	L4	H/B	H1	D1	D2	D3
3.5	171.5	19	95.3	38.1	72.5	38.1	26	φ 20	M18x1.5	φ 20
7.5~10	225.5	25.3	124	50.8	102	50.8	25.4	φ 27	M24x2	φ 27

Wiring Diagram



Specification

Application	Platform Scales , Floor Scales , Blending Scales
Rated Load	0.1,0.15, 0.2,0.25, 0.3, 0.5, 0.75, 1, 1.5, 2, 2.5, 3, 5, 7.5, 10t
Sensitivity	3±0.003mV/V (0.5-10t) , 2.0±0.002mV/V(0.25-0.3t)
Accuracy Class	C2-C5
Zero balance	±1%F.S ±0.02%F.S/10°C
TCO	±0.02%F.S/10°C
TC SPAN	±0.02%F.S/10°C
Input resistance	400±10Ω
Output resistance	352±3Ω
Insulation resistance	≥5000MΩ
Temperature Range. Compensated	-10~+40°C
Operating Temp Range	-30~+70°C
Safe load limit	120%F.S
Over load limit	180%F.S
Recommend excitation	10~12V DC
Maximum excitation	15V DC
Protection Class	IP67(0.25-0.75t) IP68 (1-10t)
Construction	Alloy Steel/Stainless Steel
Cable: Length;	3m(0.25-2.5t),4.2m (3-5t), 5m(7.5-10t)
	Diameter:Φ5mm(0.25-5t), Φ6mm (7-10t)