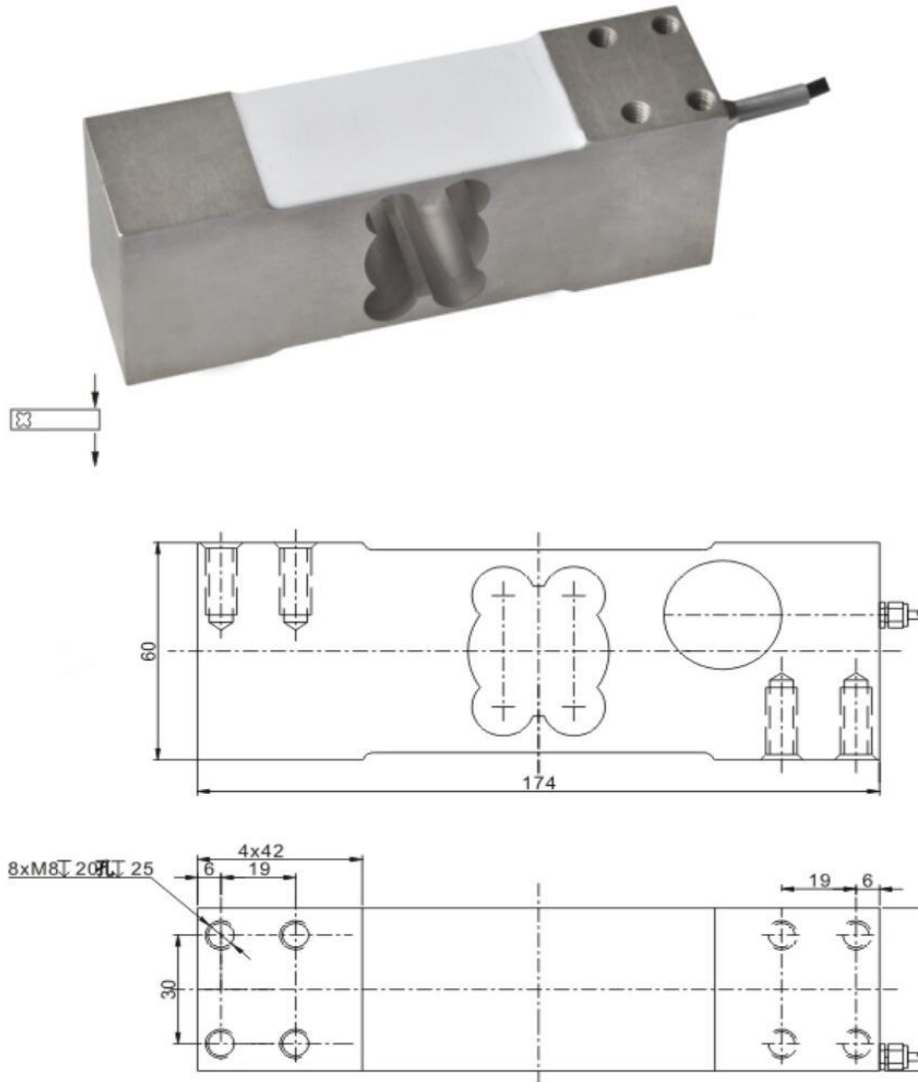
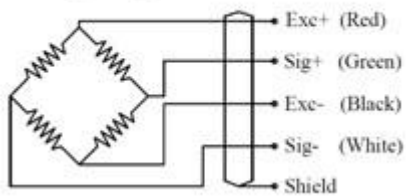




Stainless Steel Single Point Load Cells SMD-SS



Wiring Diagram



Specification

Application :	Platform Scale, All kinds of compression testing devices
Model :	SMD-SS
Capacity	40,45,50,60,65,100,150,200,250,300,500,800kg
Output Sensitivity	2.0± 0.2 MV/V
Accuracy Class	OIML C3(approving)
Creep(30 min)	±166 ppm
Zero Balance	±3%Emax
TC ZERO	±17.5ppm/°C
TC SPAN	+20~+40°C, ±17.5ppm/°C
	-10~+20°C, ±11.67ppm/°C
Input Impedance	404 ± 15Ω
output Impedance	382 ± 3Ω
Insulation Resistance	≥2000 MΩ (50VDC)
Recommend Excitation Voltage	10V
Maximum Excitation Voltage	15V
Operating Temperature Range	-20~+50°C
Safe Overload	150 %Emax
Ultimate Overload	300 %Emax
Protection Grade	IP65
Material	Stainless Steel
Cable Length	Φ5× 3M
Recommended Platter Size	500 × 500 MM
Recommended Installation Torque	25N.m