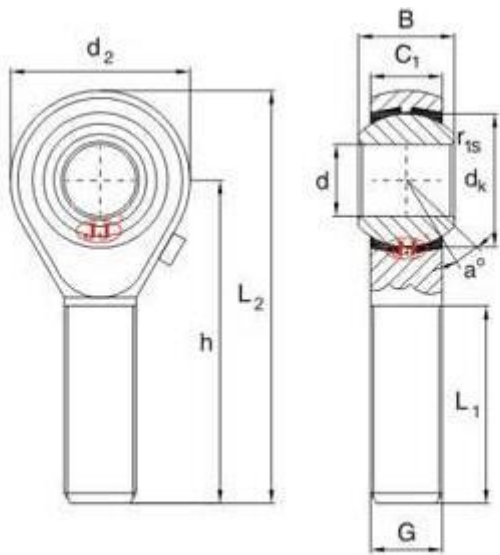


### Load Cells Maternal Rod Ends Bearing POS Series



## Specification

Type	Dimensions ( MM)											Dynamic	Static	
Bearing number	D H7	B	d <sub>x</sub>	C <sub>1</sub> max	D <sub>2</sub> max	G 6g	h	L <sub>1</sub> min	L <sub>2</sub> max	r <sub>s</sub> min	a° ≈	Load ratings kN/	Load ratings kN/	Weight ≈kg
POS5	5	8	11.112	6	16	M5	33	20	41	0.3	13	3.3	3.9	0.016
POS6	6	9	12.7	6.75	18	M6	36	22	45	0.3	13	4.3	5.3	0.026
POS8	8	12	15.88	9	22	M8	42	25	53	0.3	14	6.8	8.5	0.044
POS10	10	14	19.05	10.5	26	M10	48	29	61	0.6	14	10	11	0.072
POS12	12	16	22.23	12	30	M12	54	33	69	0.6	13	13	14	0.108
POS14	14	19	25.4	13.5	34	M14	60	36	77	0.6	16	17	20	0.161
POS16	16	21	28.58	15	38	M16	66	40	85	0.6	15	21	25	0.225
POS18	18	23	31.75	16.5	42	M18*1.5	72	44	93	0.6	15	26	30	0.292
POS20	20	25	34.93	18	46	M20*1.5	78	47	101	0.6	15	31	35	0.382
POS22	22	28	38.1	20	50	M22*1.5	84	51	109	0.6	15	38	43	0.488
POS25	25	31	42.86	22	60	M24*2	94	57	124	0.6	15	47	65	0.749
POS28	28	35	47.63	25	66	M27*2M	103	62	136	0.6	15	59	77	0.949
POS30	30	37	50.8	25	70	M30*2	110	66	145	0.6	17	63	86	1.13

For left-hand thread , suffix L is added to bearing number and thread sign, e.g. POSL20

Sliding contact surfaces:Steel/Bronze

Design and application features

Rod end of steel and zinc coated , with male or female thread , spherical surface with bronze liner, inner ring of carbon chromium steel , spherical surface with chromium plating, can be lubricated via a nipple or a hole in the rod end , It has characteristics of large load capability , easy mounting and dismounting and mechanism simplification .

ADD: UNIT 615A 6F ZHONG TIE FORTUNE PLAZA NO.398 JIAHE ROAD XIAMEN FUJIAN CHINA

TEL:86-592-6686182, Email:sales@kuanyi.com, <http://www.kuanyi.com>