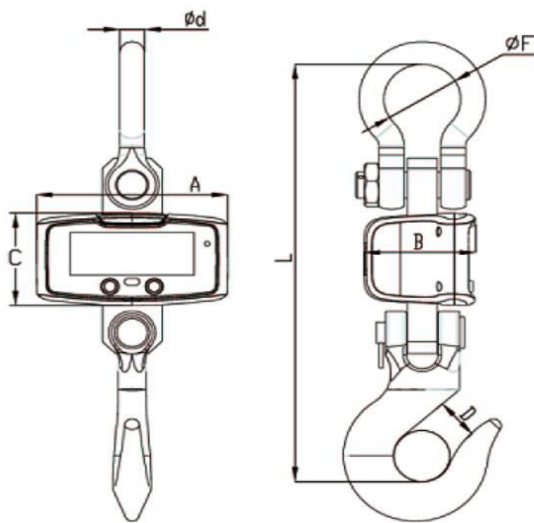




### Bluetooth Digital Crane Scale OCS-XZ-BLE



- ⇐T⇐ TARE
- kg/lb Switch
- 🔒 HOLD
- 🔋 5000mAh Lithium Battery
- 📶 IOT APP
- 📶 Bluetooth
- ~ Stable
- 🔌 type C Charger

**Capacity:**

Max Capacity	Division	A	B	C	D	L	Φd	ΦF
2T	1kg	198	116	105	39	424	23	76
3T	1kg	198	116	105	39	424	23	76
5T	2kg	198	116	105	46	478	26	80

**Feature:**

Adopt with safe and secure single piece load cells

Integrated full information led display , including weighing data and working mode

Streamlined Aluminum diecasting alloy housing, anti-collision and scratch resistant

With innovative USB type C charger, 5000mAh rechargeable battery

Overlong standby mode, bring your more convenience.

Support infrared remote control calibration , can upgrade Bluetooth to support IOT APP

**Technical Parameter:**

Accuracy : OIMLR76 C3

Maximum Safe Load :150%F.S.

Overload Alarm :100% F.S.+9e

Time to Stable Reading ≤8s

Limited Overload : 400% F.S.

Operating Temperature : -10℃ -+55℃