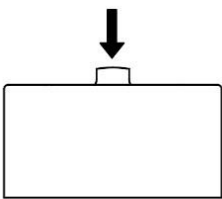
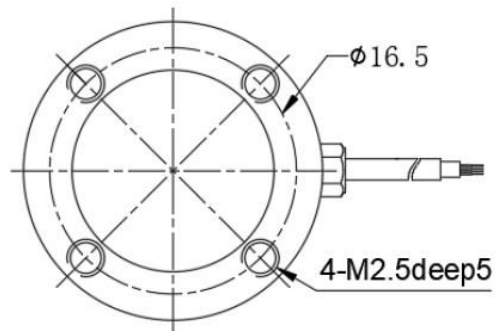
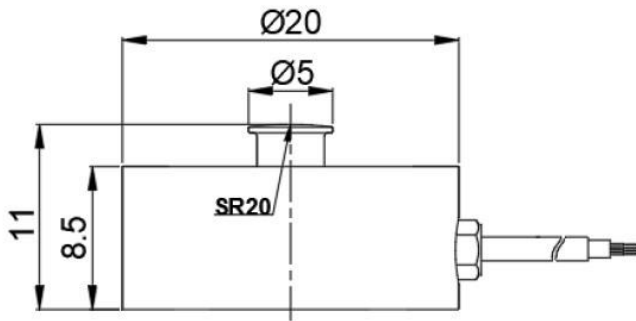


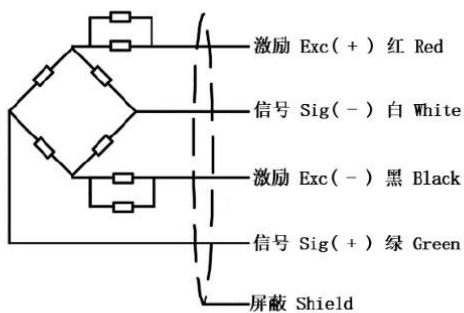


## Stainless Steel Miniature Load Cells Sensor Force Transducer LWE



(Unit: mm)

### Wiring Diagram:



**Feature:**

Stainless Steel 17-4PH

Microstructure

**Application:**

It is widely used in force measurement applications in small installation space, such as robot hand grip, pressure detection of hot and cold presses, and button feel testers.

**Specification:**

Rated Load	5-1000kg
Sensitivity	1.0-1.5mV/V
Accuracy Class	0.5%F.S.
Zero balance	±0.03 mV/V
Non-linearity	±0.5%F.S.
Hysteresis	±0.5%F.S.
Repeatability	±0.5%F.S.
Creep (30mins)	±0.2%F.S.
TCO	±0.5%F.S/10℃
TC SPAN	±0.2%F.S/10℃
Input resistance	350±10Ω
Output resistance	350±5Ω
Insulation resistance	≥5000MΩ (50DVC)
Temperature Range. Compensated	-10~+40℃
Operating Temp Range	-20~+60℃
Safe load limit	120%F.S
Over load limit	150%F.S
Recommend excitation	2.5-5V DC
Maximum excitation	7V DC
Protection Class	IP65
Construction	Stainless Steel
Cable: Length	Diameter:Φ2× 3m / Φ3× 3m