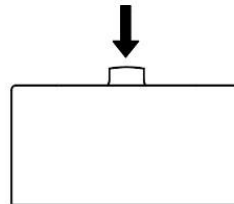
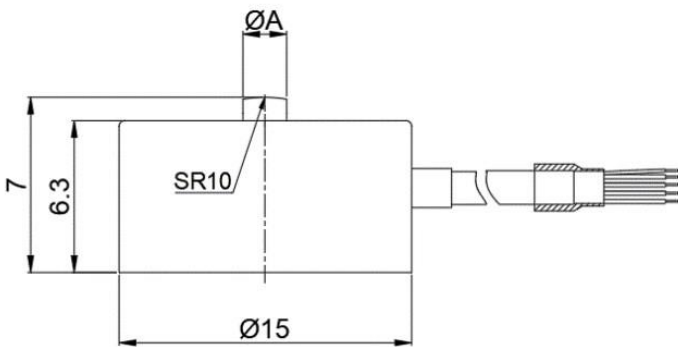




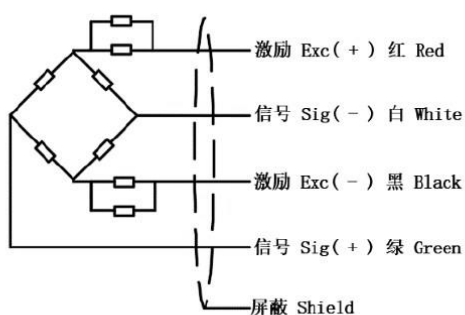
Stainless Steel Miniature Load Cells Sensor Force Transducer LWD



量程	ΦA	H	H1
5-30kg	1.5	7	6.3
50-100kg	3		

(Unit: mm)

Wiring Diagram:



Feature:

Stainless Steel 17-4PH

Microstructure

Application:

It is widely used in force measurement applications in small installation space, such as robot hand grip, pressure detection of hot and cold presses, and button feel testers.

Specification:

Rated Load	5-100kg
Sensitivity	0.8-1.5mV/V
Accuracy Class	1.0%F.S.
Zero balance	±0.02 mV/V
Non-linearity	±1%F.S.
Hysteresis	±1%F.S.
Repeatability	±1%F.S.
Creep (30mins)	±1%F.S.
TCO	±1%F.S/10°C
TC SPAN	±1%F.S/10°C
Input resistance	350±10Ω
Output resistance	350±5Ω
Insulation resistance	≥5000MΩ (50DVC)
Temperature Range. Compensated	-10~+40°C
Operating Temp Range	-20~+60°C
Safe load limit	120%F.S
Over load limit	150%F.S
Recommend excitation	2.5-5V DC
Maximum excitation	7V DC
Protection Class	IP65
Construction	Stainless Steel
Cable: Length	Diameter:Φ2× 3m