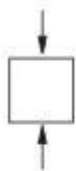
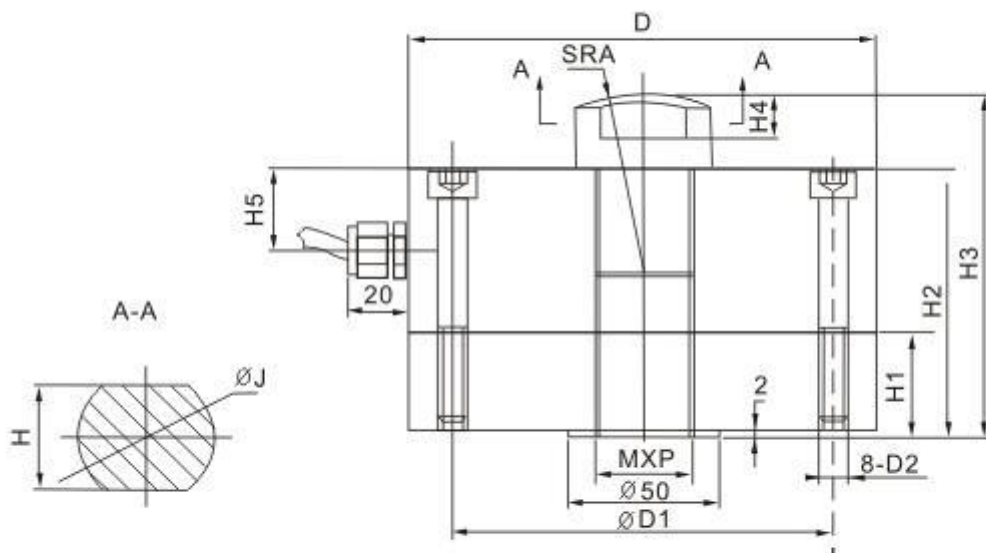


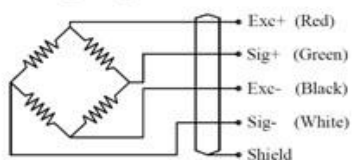


Low Profile Compression Load Cells LFC



额定载荷(t) Rated Load	D	M*P	H1	H2	H3	H4	H5	H	φ J	A	D1	D2
1,2,3	φ 105	M14*2	25	70	85	10	22.5	20	φ 25	40	90	M6x55
5	φ 120	M20*1.5	30	80	95	10	25	25	φ 30	45	104.5	M8x65
10,20	φ 155	M32*2	35	90	115	15	27.5	35	φ 45	60	133	M10x75

Wiring Diagram



Specification

Application:	Axle-load scales, warehouse Scales, experimental Machine
Model:	LFC
Capacity	2, 3, 5, 10, 20T
Output Sensitivity	2.0± 0.002 mV/V
Total Error	± 0.05 %F.S (2, 3, 5T) ± 0.1 %F.S (10, 20T)
Creep (30 min)	± 0.03 %F.S/30 Mins
TCO	±0.02 F.S/ 10 °C
TC SPAN	±0.02 F.S/ 10 °C
Zero Balance	±1.0 % F.S
Input Impedance	400 ± 10 Ω
Output Impedance	352 ± 2 Ω
Insulation Resistance	≥5000 MΩ
Recommend Excitation Voltage	10~12V
Maximum Excitation Voltage	15V / DC
Operating Temperature Range	-30°C~+70°C
Safe Overload	150 %F.S
Ultimate Overload	250 %F.S
Protection Grade	IP67
Material	Alloy Steel
Cable Length	φ6×12M