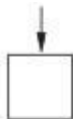
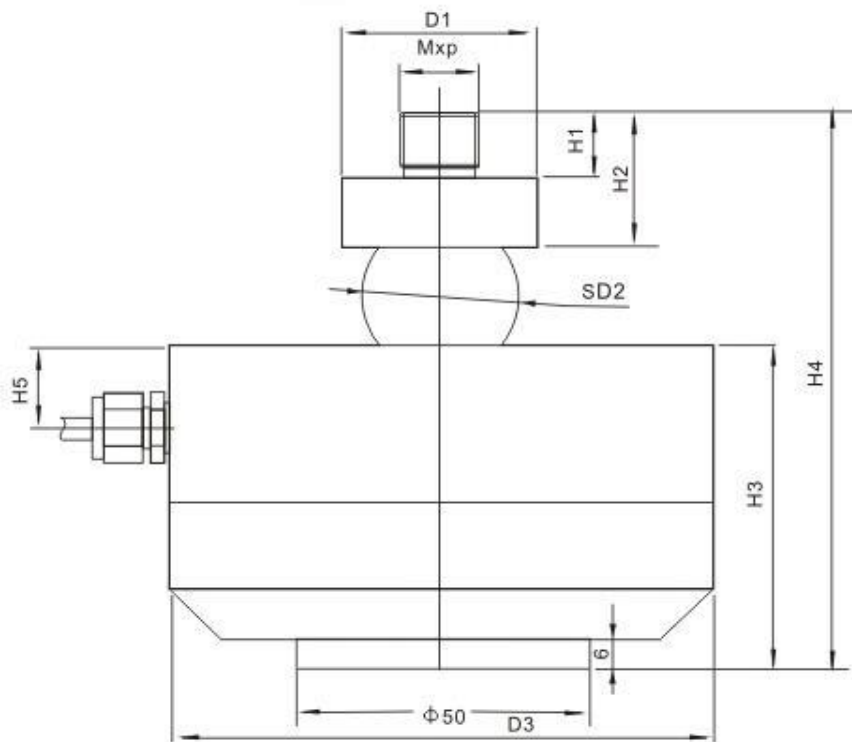


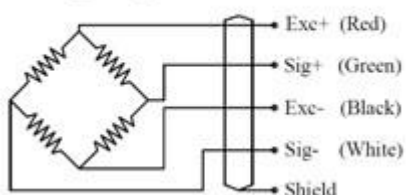


Low Profile Compression Load Cells LFA



额定载荷(t) Rated Load	D1	D2	D3	M*P	H1	H2	H3	H4	H5
10	φ 50	φ 40	φ 138	M20*1.5	17	35	74	134.5	20.55
20,25	φ 65	φ 40	φ 165	M24*1.5	25	50	87	161	20.55
30	φ 75	φ 50.8	φ 165	M30*1.5	25	55	86	176	21
40	φ 85	φ 76.2	φ 165	M40*1.5	25	65	95.8	221	25.4

Wiring Diagram



Specification

Application:	Axle-load scales, warehouse Scales, experimental Machine
Model:	LFA
Capacity	10, 20, 25, 30,40T
Output Sensitivity	3.0± 0.003 mV/V
Total Error	± 0.05 %F.S, ± 0.1 %F.S
Creep (30 min)	± 0.05 %F.S/30 Mins
TCO	±0.02 F.S/ 10 °C
TC SPAN	±0.02 F.S/ 10 °C
Zero Balance	±1.0 % F.S
Input Impedance	400 ± 10 Ω
Output Impedance	352 ± 2 Ω, 352± 5 Ω (L ≥ 15M)
Insulation Resistance	≥5000 MΩ
Recommend Excitation Voltage	10~12V
Maximum Excitation Voltage	15V / DC
Operating Temperature Range	-30~+70°C
Safe Overload	150 %F.S ,120 %F.S (30, 40T)
Ultimate Overload	250 %F.S , 200 %F.S (30, 40T)
Protection Grade	IP68
Material	Alloy Steel
Cable Length	φ6×12M (10-25T), 16M (30-40T)