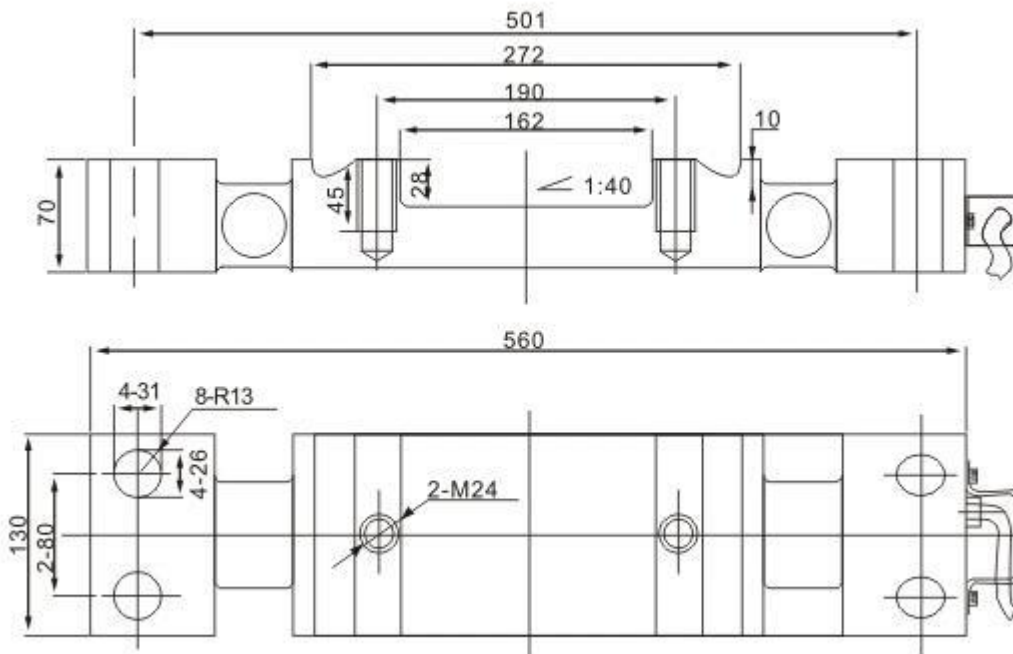
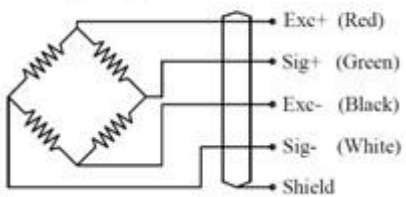




Double Ended Shear Beam Railway Scales Load Cells BTL



Wiring Diagram



Specification

Application	Railway Scales
Rated Load	15,25,30t
Sensitivity	1.6±0.005mV/V
Accuracy Class	C2-C5
Total Error	±0.3%F.S
Creep Error (30mins)	±0.05%F.S
Zero Balance	±1%F.S
TCO	±0.05%F.S/10℃
TC SPAN	±0.05%F.S/10℃
Input resistance	750±10Ω
Output resistance	702±5Ω
Insulation resistance	≥5000MΩ
Temperature Range. Compensated	-10~+40℃
Operating Temp Range	-30~+70℃
Safe load limit	150%F.S
Over load limit	200%F.S
Recommend excitation	10~12V DC
Maximum excitation	15V DC
Protection Class	IP67
Construction	Alloy Steel
Cable: Length;	16m
	Diameter: Φ6mm