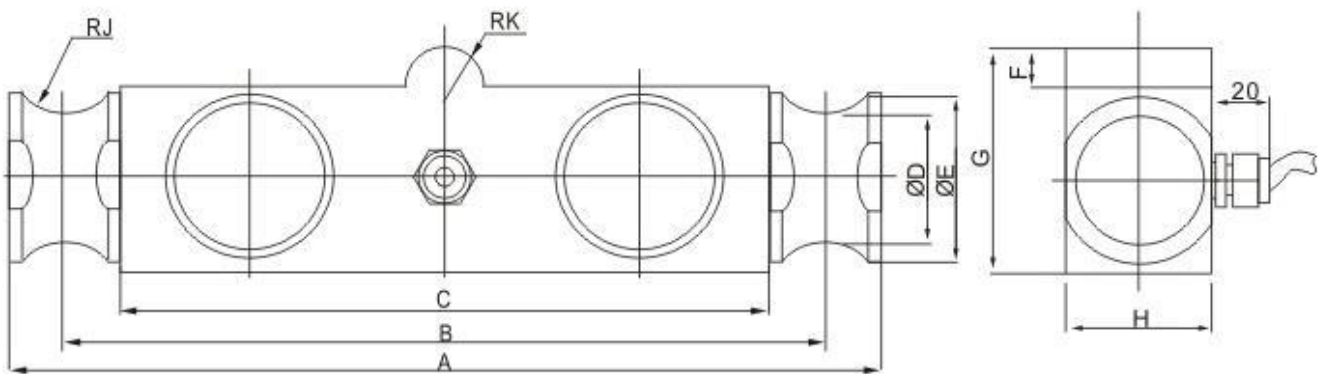
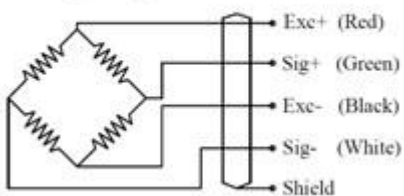


### Double Ended Shear Beam Load Cells BSE



额定载荷(klb) Rated Load	A	B	C	D	E	F	G	H	J	K
25,40,50	210	185	159	41	51	13	64	51	13	13
60,75	292	254	216	43	56	13	76	51	21	13

#### Wiring Diagram



## Specification

Application	Truck Scales, Railway Scales, Axle Scales , Floor Scales ,Warehouse Scales
Rated Load	25,40,50,60,75,100,125klb
Sensitivity	3.0±0.003mV/V
Total error	±0.05%F.S
Creep(30min)	±0.02%F.S
Zero balance	±1%F.S
TCO	±0.02%F.S/10°C
TC SPAN	±0.02%F.S/10°C
Input resistance	750±10Ω
Output resistance	702±3Ω
Insulation resistance	≥5000MΩ
OperatingTemp Range	-30~+70°C
Safe load limit	150%F.S
Over load limit	250%F.S
Recommend excitation	10~12V DC
Maximum excitation	15V DC
Protection Class	IP68
Construction	Alloy Steel-S/-SS;Stainless steel
Cable	Length;12m (25-50klb ) , 16m ( 60-75klb) Diameter:Φ6mm