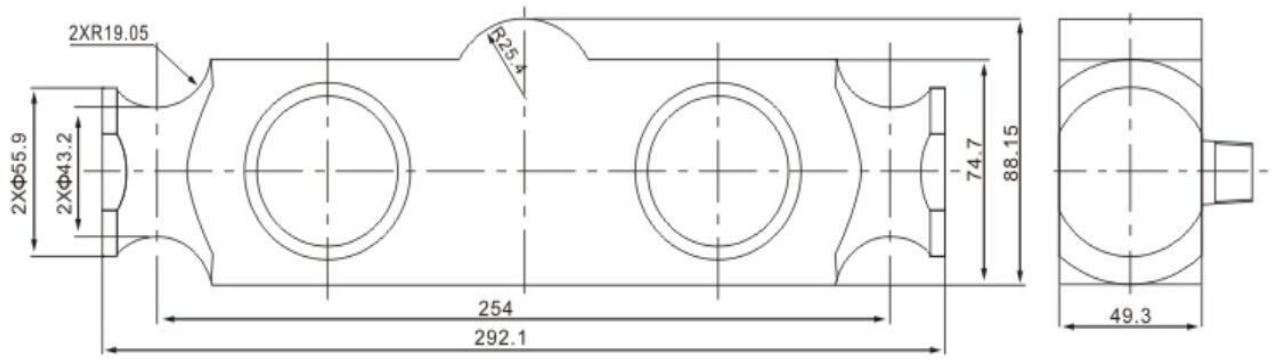
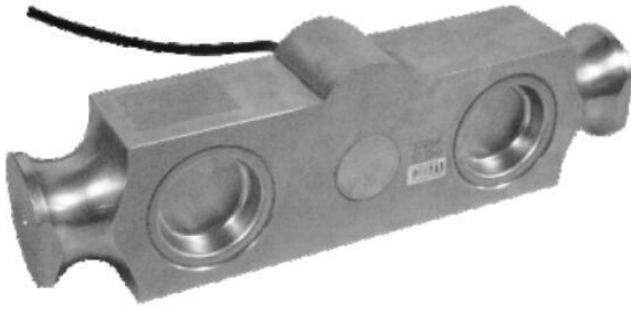
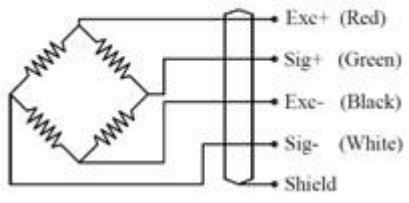




NTEP Double Ended Shear Beam Load Cells BSE-B



Wiring Diagram



Specification:

Application	Truck Scales, Floor Scales ,Warehouse Scales
Rated Load	50, 60, 75klb
Sensitivity	3.0±0.003mV/V
Total error	±0.03%F.S , ±0.05%F.S
Creep(30min)	±0.02%F.S
Zero balance	±1%F.S
TCO	±0.02%F.S/10°C
TC SPAN	±0.02%F.S/10°C
Input resistance	750±10Ω
Output resistance	702±3Ω
Insulation resistance	≥5000MΩ
Temperature range, compensated	-10~+40°C
Operating Temp Range	-30~+70°C
Safe load limit	120%F.S
Over load limit	200%F.S
Recommend excitation	10~12V DC
Maximum excitation	15V DC
Protection Class	IP68
Construction	Alloy Steel-S/-SS;Stainless steel
Cable	Length;15.5m, Diameter:Φ6mm