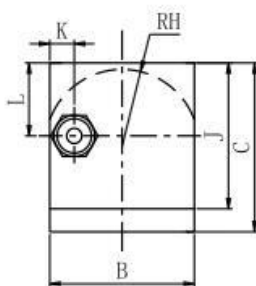
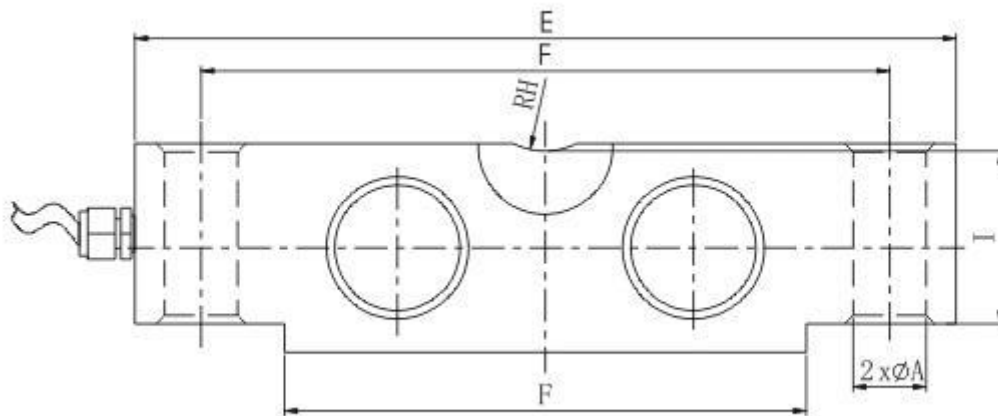


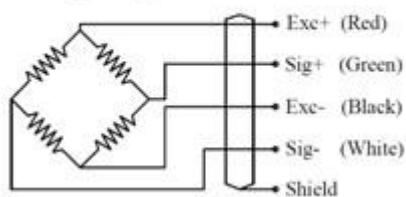


OIML Double Ended Shear Beam Load Cells BSC



量程(klb)	A	B	C	D	E	F	G	H	I	J	K	L
10~25	17.3	42.9	49.3	196.9	165.1	125.1	19.1	22.9	41.4	43.2	8.8	13.6
40	20.6	49.3	62.0	260.4	215.9	162.4	25.4	28.5	50.8	53.3	9.0	31.0
50~75	27.0	62.0	74.7	260.4	215.9	162.4	25.4	34.8	64.5	67.3	10.0	37.4
100~125	41.0	73.6	98.0	387.4	323.8	228.4	38.1	45.7	83.8	87.1	11.0	49.0

Wiring Diagram



Specification

Application	Truck Scales, Railway Scales, Axle Scales, Floor Scales, Warehouse Scales
Rated Load	10,20,25,40,50,60,75klb
Sensitivity	3.0±0.003mV/V
Total error	±0.03%F.S; ±0.05%F.S
Creep(30min)	±0.02%F.S
Zero balance	±1%F.S
TCO	±0.02%F.S/10°C
TC SPAN	±0.02%F.S/10°C
Input resistance	750±10Ω
Output resistance	703±2Ω , 703±5Ω (L≥15M)
Insulation resistance	≥5000MΩ
Operating Temp Range	-30~+70°C
Safe load limit	150%F.S
Over load limit	250%F.S
Recommend excitation	10~12V DC
Maximum excitation	15V DC
Protection Class	IP68
Construction	Alloy Steel
Cable	Length=L;12m(10-40klb),16m(50~75klb) Diameter:Φ6mm