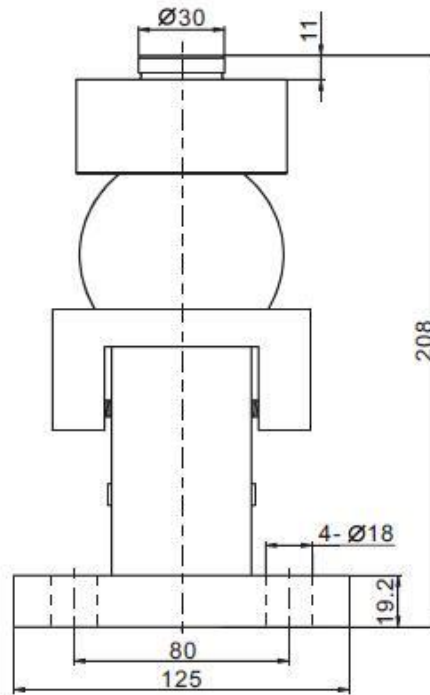
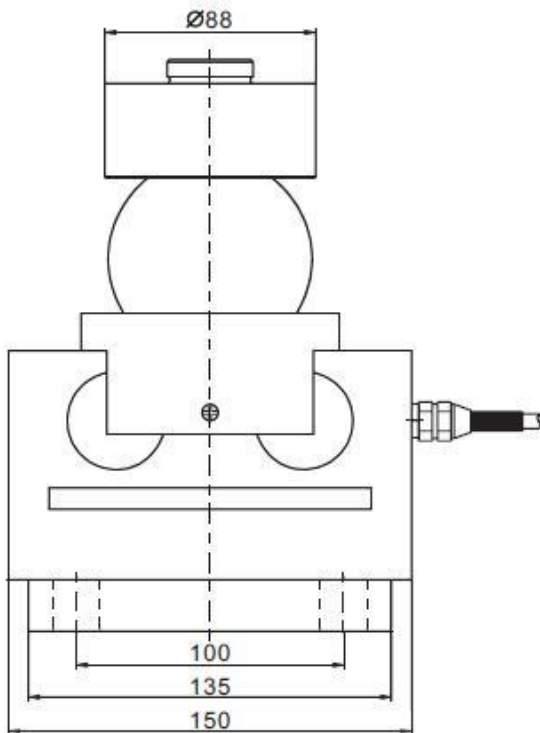
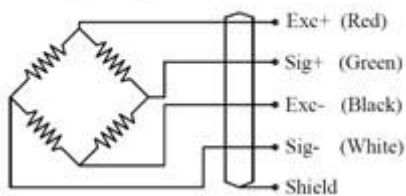




### Double Ended Shear Beam Load Cells BSA-Q



#### Wiring Diagram



**Specification**

Application		Truck scale	
Model		BSA-Q	
Capacity		20T, 30T	
Rated output		2.0±0.004 MV/V	
Accuracy class		C2	C3
Maximum number of verification intervals $n_{max}$		2000	3000
Minimum load cell verification intervals $V_{min}$		$E_{max}/5000$	$E_{max}/7500$
Combined Error %RO		$\leq \pm 0.030$	$\leq \pm 0.020$
Creep %RO/30min		0.02	0.016
Temperature effect on sensitivity %RO/°C		0.0016	
Temperature effect on zero %RO/°C		0.0026	0.002
Zero balance %RO		$\pm 1.0$	
Input resistance $\Omega$		750±3	
Output resistance $\Omega$		700±3	
Insulation resistance M $\Omega$ (50V)		5000	
Recommended excitation voltage V		10~15	
Compensated temperature range °C		-10~+40	
Operating temperature range °C		-35~+80	
Safe overload %RO		150	
Ultimate overload %RO		200	
Load cell material		Alloy steel , Stainless steel	
Connecting cable		$\varnothing 5.7 \times 8m$	
Method of connecting wire		Red E(+) Black E(-) Green S(+) White S(-)	