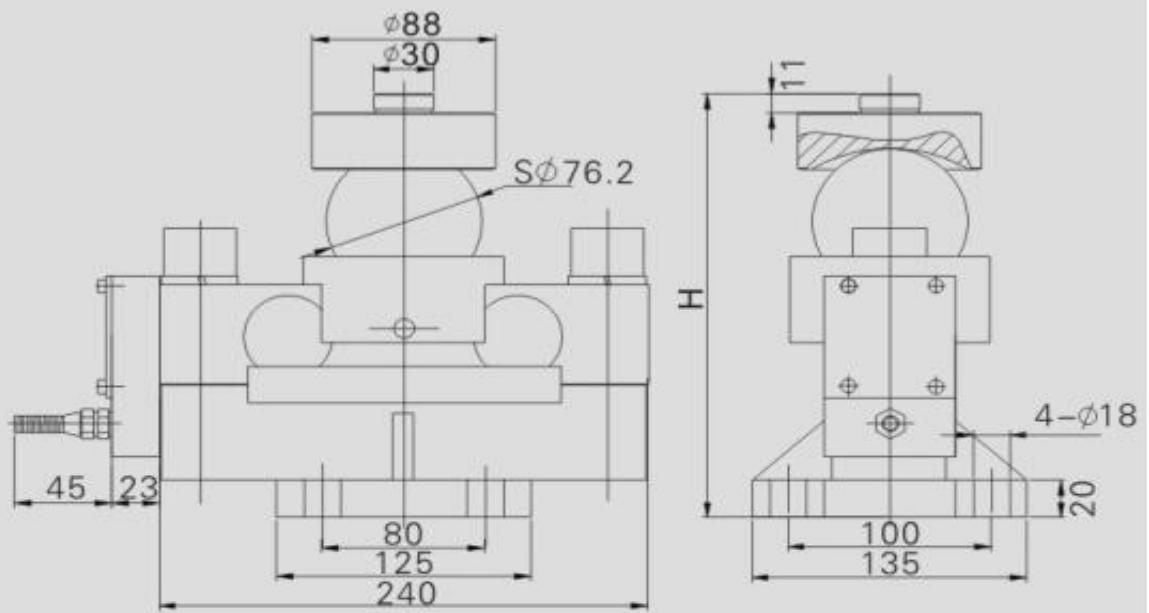


Digital Double Ended Shear Beam Load Cells BSA-D



额定载荷 (t) Rated load	H(mm)
10, 15, 20, 25, 30	224.7
40	230.7

Specification

A/D Module Resolution	60000Code
Rated load	10,15,20,25,30,40t
Rated Output	20000,25000,30000,40000ISN
Digital Refurbishing Frequency	50Times/Sec
Communication BRS	9600 BRS
Combined Error	±0.02%F.S
Creep (30min)	±0.02%F.S
Maximum Excitation	20V DC
Temperature Effect	±0.02%F.S/10°C
Operating Temp Range	-30~+70°C
Zero Balance	±0.1%F.S
Safe overload	150%F.S
Environmental Protection	IP68
Recommended Excitation	9~12V DC
Maximum Transmitting Distance	20V DC