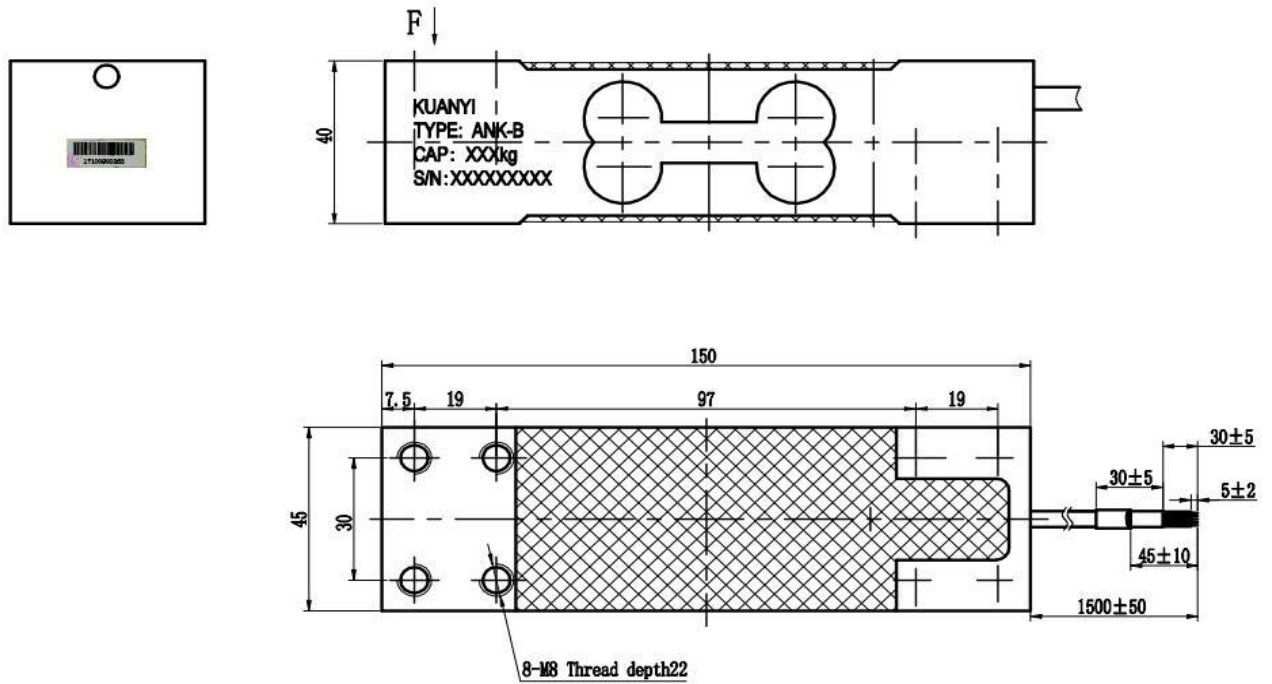
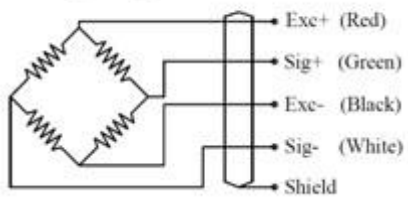




Single Point Platform Scale Load Cells ANK-B



Wiring Diagram



Specification

Application :	Platform Scales
Model :	ANK-B
Capacity	100, 200, 300, 350, 500KG
Output Sensitivity	2.0± 0.2 mV/V
Nonlinearity	0.02 %F.S
Repeatability	0.01 %F.S
Hysteresis	0.02 %F.S
Creep(30 min)	0.02 %F.S/30 Mins
Temperature effect on Sensitivity	0.0016 %F.S/ °C
Temperature effect on Zero	0.003 %F.S/ °C
Zero Balance	±1.0 %F.S
Input Impedance	402 ± 6 Ω
output Impedance	350 ± 3Ω
Insulation Resistance	5000 MΩ
Recommend Excitation Voltage	10V
Maximum Excitation Voltage	15V
Comensated Temperature Range	-10~+55°C
Operating Temperature Range	-35~+80°C
Safe Overload	150 %F.S
Ultimate Overload	200 %F.S
Protection Grade	IP66
Material	Alluminium
Cable Length	φ5.7× 2 M
Recommended Platter Size	500 × 600 MM