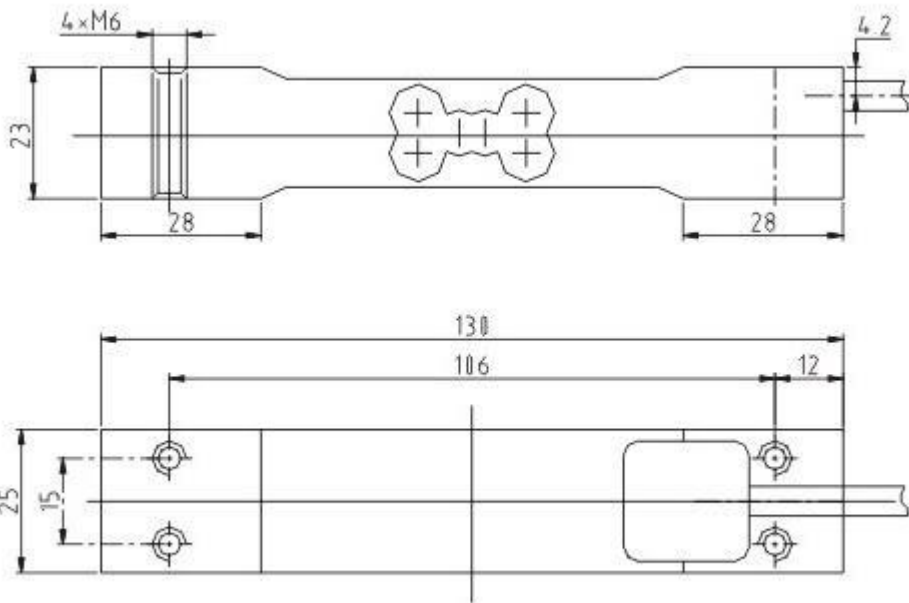
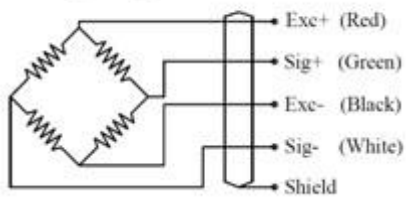




### OIML Single Point Load Cells AMI (5kg to 40kg)



#### Wiring Diagram



**Specification**

Application :	Price Computing Scales , Bench Scales
Model :	AMI
Capacity	5, 6, 8, 10, 15, 20, 30, 35, 40 KG
Output Sensitivity	2.0± 0.2 MV/V
Accuracy Class	OIML C3
Creep(30 min)	±166 ppm
Zero Balance	±3%Emax
TC ZERO	±17.5ppm/°C
TC SPAN	+20~+40°C, ±17.5ppm/°C -10~+20°C, ±11.67ppm/°C
Input Impedance	404 ± 15Ω
output Impedance	350 ± 3Ω
Insulation Resistance	≥2000 MΩ ( 50VDC)
Recommend Excitation Voltage	10V
Maximum Excitation Voltage	15V
Compensated Temperature Range	-10~+40°C
Operating Temperature Range	-20~+50°C
Safe Overload	150 %Emax
Ultimate Overload	300 %Emax
Protection Grade	IP65
Material	Aluminium
Cable Length	Φ5× 0.50 M
Recommended Platter Size	300 × 300 MM
Recommended Installation Torque	10N.m